



NORTH SHORE SAFETY



Installation, Testing, and Operating Procedures 15/20 AMP PANELGARD UTILITY RECEPTACLE

IMPORTANT!

Please read all the information on this sheet.

SAVE THESE INSTRUCTIONS!

NOTICE

BEFORE USING READ INSTRUCTIONS COMPLETELY. TO BE INSTALLED BY A QUALIFIED ELECTRICIAN IN ACCORDANCE WITH NATIONAL AND LOCAL ELECTRICAL CODES AND THESE INSTRUCTIONS.

CAUTION!

RISK OF ELECTRIC SHOCK, BURN, OR EXPLOSION. DISCONNECT POWER BEFORE INSTALLING. NEVER WIRE ENERGIZED ELECTRICAL COMPONENTS. FAILURE TO DO SO MAY CAUSE SEVERE SHOCK, PERSONAL INJURY, OR DEATH.

WARNING!

- Ground Fault Circuit Interrupter (GFCI) is a safety device under normal use and is not intended to promote activity of elevated risk.
- Do not use this GFCI if it fails to function as instructed. Never attempt to tamper with this device.
- This GFCI should never be used as a switch to connect or disconnect power. (Power should be disconnected at main power feed or by a secondary switch located at the primary feed of GFCI.)
- This GFCI is not an over current protection device. (An appropriate current breaker should be used in series at primary power feed.)

CAUTION!

- Do not use this device to feed power to Life Support apparatus.

NOTICE

- A GFCI is a device designed to interrupt power when a ground fault exceeds a predetermined value. The interruption of power is fast in order to prevent injuries. The human body is conductive to electricity. Any electrical apparatus is a potential shock hazard when used near wet locations.
- The GFCI constantly monitors the current balance of the conductors supplying power to the load. When a ground fault occurs, by leakage or by shock, the imbalance of current is sensed and the GFCI trips when the ground fault exceeds 0.006 Amps.

WARNING!

A GFCI CANNOT DO THE FOLLOWING:

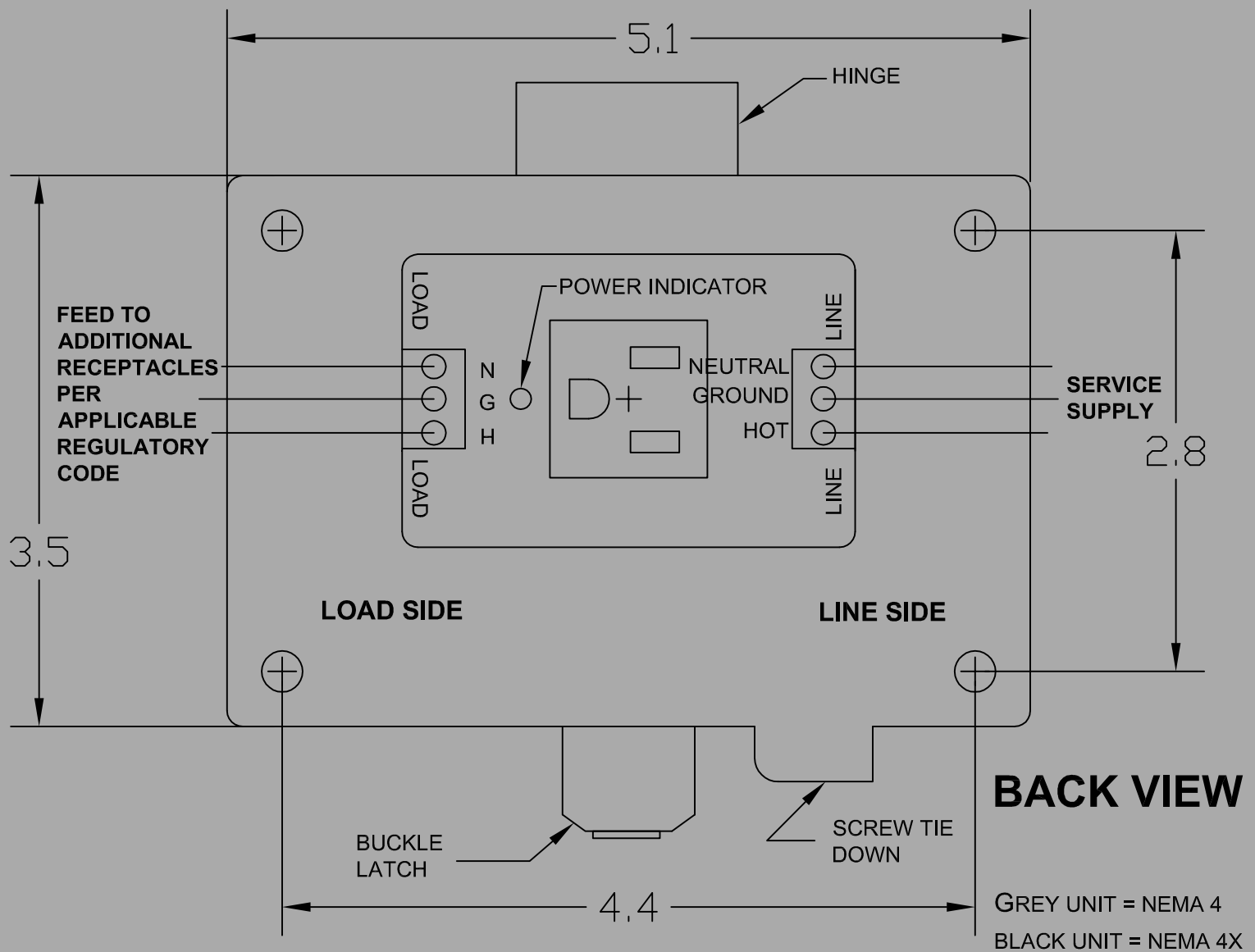
- Will not protect line side
- Will not protect you when touching two current carrying conductors of opposite polarity (GFCI recognizes this as a load)
- Will not protect you when touching a line of another circuit
- Will not detect or interrupt overcurrent

NORTH SHORE SAFETY'S TWO-YEAR LIMITED MANUFACTURER'S WARRANTY

North Shore Safety warrants to the consumer its offering of LineGard Ground Fault Circuit Interrupters (GFCIs) to be free from defects in materials and workmanship under normal use and service for a period of two years from the manufacture date. North Shore Safety, at its option will repair or replace the defective GFCIs without charge within a two year period from the date of manufacture, provided that the defect occurred during normal use and was installed according to all published instructions. All returns must be authorized by a North Shore Safety representative. In the event of product failure please contact a North Shore Safety representative at 1-440-205-9188 to obtain a Return Goods Authorization Number (RGA) prior to returning any product to North Shore Safety. North Shore Safety will refuse any item if prior Return Goods Authorization has not been granted. Defective units must be returned prepaid freight, with a description of the problem, and with an attached RGA number referenced to the Quality Assurance Dept., North Shore Safety, Ltd., 7335 Production Drive, Mentor, OH 44060. Determination of Warranty compliance is solely at the discretion of North Shore Safety and North Shore Safety's disposition is final.

Disclaimer

North Shore Safety will not be liable, directly or indirectly, for any cost whatsoever associated with installation or removal of any device, or for any personal injury, property damages, or incidental, indirect, or consequential damages of any kind whatsoever as a result of any defective device. The exclusive remedy under this Warranty is the repair or replacement of the defective device. In no case shall North Shore Safety's liability exceed the net purchase price. This Warranty is void if the device is not properly installed, tampered with, opened, abused, or not used according to label instructions and ratings, and/or published specifications.



SPECIFICATIONS: MECHANICAL

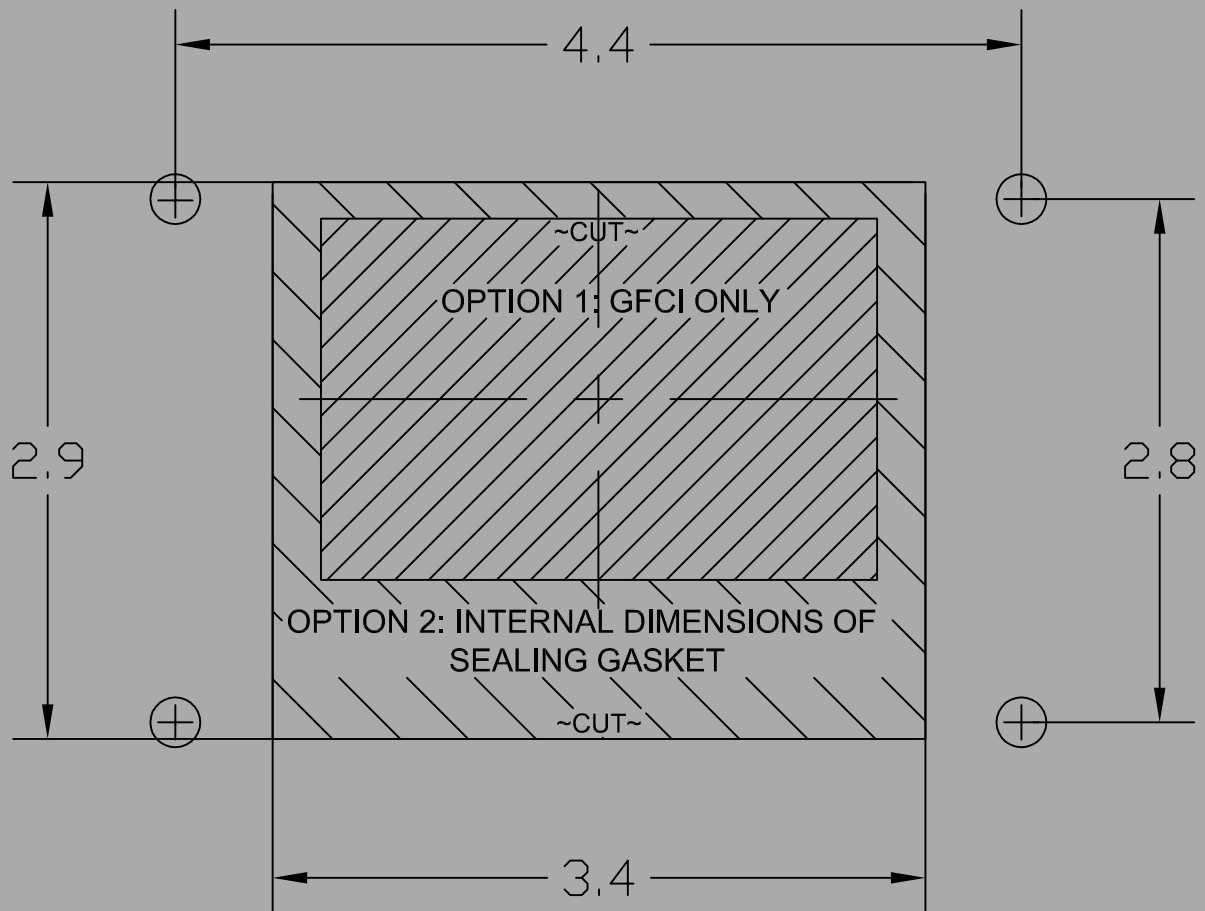
- HOUSING: CAST ALUMINUM BASE
- LATCH: TYPE 304 STAINLESS STEEL(1CR18NI19)
- CLEAR HOUSING COVER: POLYCARBONATE, V-O & UV RATED
- INSIDE-OUTLET® GRAY SHROUD: V-O FLAME RATING
- GASKET: THERMOPLASTIC ELASTOMER
- INSERT MATERIAL: ACRYLIC UL94HB

INSTALLATION

INSIDE-OUTLET® RECEPTACLES ARE INTENDED TO BE MOUNTED IN OR ON AN ENCLOSURE. INSTALLATION SHOULD BE PERFORMED BY A QUALIFIED ELECTRICIAN AND ADHERE TO APPLICABLE REGULATORY CODES. THESE DEVICES ARE FOR MOUNTING ON A FLAT SURFACE OF ENCLOSURES HAVING THE SAME TYPE ENVIRONMENTAL RATINGS.

1. CUT PANEL OPENING USING PROVIDED TEMPLATE.
2. MOUNT PANELGARD RECEPTACLE ENCLOSURE WITH GASKET (PROVIDED).
3. CONNECT SERVICE SUPPLY (H,N,G) TO RECEPTACLE LINE SIDE (H,N,G) TERMINALS.
4. CONNECT ADDITIONAL RECEPTACLES (AS ALLOWED BY CODE) BY WIRING RECEPTACLE (H,N,G) TO LOAD SIDE PANELGARD TERMINALS (H,N,G).
5. POWER-UP PANELGARD DEVICE. (LED POWER INDICATOR IS "ON")
6. TEST UTILIZING PANELGARD TEST BUTTON ON FRONT. VERIFY LED TURNS OFF DURING TEST. (LED POWER INDICATOR IS "OFF")
7. IF PANELGARD FAILS GROUND FAULT TEST: **DO NOT USE!**; CHECK WIRING AND/OR CONTACT NORTH SHORE SAFETY ABOUT REPAIR OR REPLACEMENT.

TEMPLATE / PANEL CUTOUT



*VERIFY DIMENSIONS

*PRINT PDF TO ACTUAL SIZE **NOT** PRINT TO FIT